

MODEL Z26/24 OIL FILTER

I Applicability

This model of machine is designed specially to fit medium and small sized screw type oil Press. After so many years of improvement and innovation, the machine features such advantages as lightweight, convenient operation etc. It can be used for filtering all kinds of plant oil such as peanuts\ sesame\ rape-seeds and so on. This machine is one of necessary facilities in oil pressing workshops.

Model Z24&Z26 oil filter can match Model 70、80、85、95 and 100screw type oil press.

★★Attention: Before use, please wash by warm water with detergent.

When washing, it can be without filter cloth. ★★

II Main Technical Parameters

	Model Z24 Oil Filter	Model Z26 Oil Filter
Outlet Dimension	870×410×710	900×410×750
Rotational Speed	320*330 r/min	320*330 r/min
Capacity	70-80Kg/h	85-100Kg/h
V-belt Model for Motor	Model A 710	Model A 710
Weight	130Kg	170Kg
Weight with Motor	139Kg	179Kg
Motor Model	Y2-80M1-4-Y 0.55KW 380V	Y2-80M1-4-Y 0.55KW 380V

III Structure and Working Principle

This machine mainly consists of a rack, a sump, a filter plate and oil pump system. Driven by a motor installed on the filter system, the cam makes the connected belt wheel move back and forth. The oil is forced into the filter plate by the moving piston, and the oil is finally filtered clean through the canvas filter.

The machine is equipped with a safety valve device. When the oil residue is over-loaded or the pressure (inside where) is over-built up, the safety valve opens automatically to release the pressure.

IV Installation and Attention

1. This machine should be installed to the fixed cement ground or hard wood frame.
2. Avoid large residues block the oil way, use wire netting to filter first.
3. When oil is filtered, oil temperature should keep above 50 centigrade, otherwise, it will influence filtering.
4. When mounting filter cloth, keep smooth and without folding marks. There should be no oil residues between the filter cloth and filter plate. The holes on the filter cloth should be aligned with the holes on the filter plate to keep the oil unblocked.
5. The filter cloth should be often washed with hot pure soda water. The cleaned filter cloth must be dried in the sun or roast. Do not use wet filter cloth to filter.
6. When oil flow gradually to decrease, even no oil filter out, this case shows oil

residues has been full. Stop the machine and clean it.

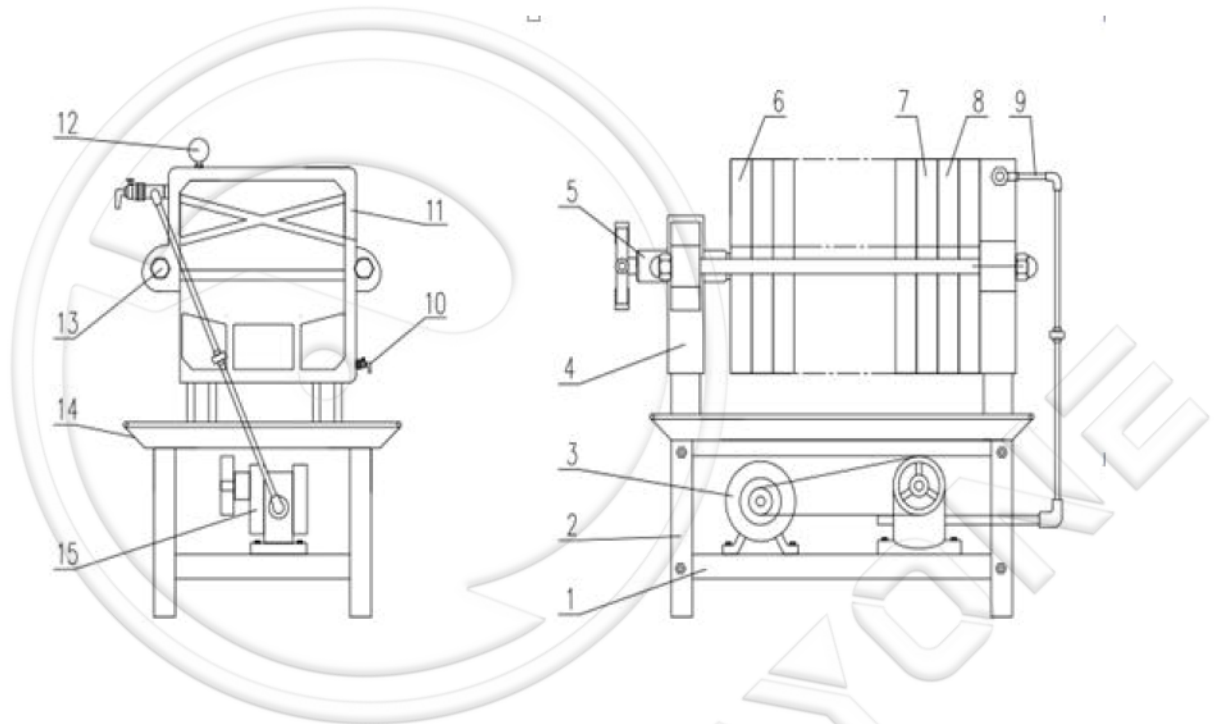
7. When no oil is filtered or the machine needs cleaning, oil pump should be stopped working.
8. Relief valve automatically opens when the oil residues are full. If the oil residues aren't full, and oil flow out from the relief valve, this shows relief valve is adjusted too loose, so it should be adjusted a little tighter. If oil residues are full, and no oil back flow, this shows it is adjusted too tight, so it should be adjusted a little looser.
9. If the oil to be filtered is not much, choose one or two filter frame.

V Breakdown and the Methods of Removal

Breakdown	Generating cause	Method of removal
Oil can't be extracted	<ol style="list-style-type: none"> 1. Oil inlet pipe air leakage 2. Oil way blocked up 3. Piston or oil seal is seriously worn out 	<ol style="list-style-type: none"> 1. Fasten pipe connection 2. Clear off oil way and rid up residues 3. Replace oil seal or piston
Oil pump leaks oil	<ol style="list-style-type: none"> 1. Oil seal is worn out 2. Piston is seriously damaged 	<ol style="list-style-type: none"> 1. Replace oil seal 2. Replace piston
Filtered oil can't flow out	<ol style="list-style-type: none"> 1. Canvas is wet 2. Oil temperature is too low 3. Canvas hole is not aimed 	<ol style="list-style-type: none"> 1. Sun dried or roasted the canvas 2. Raise oil temperature 3. Aim the canvas hole
Filtered oil isn't clear	<ol style="list-style-type: none"> 1. Canvas is damaged 	<ol style="list-style-type: none"> 1. Replace new sacking
Filter plate leaks oil	<ol style="list-style-type: none"> 1. Filter plate end uneven 2. Canvas has folding marks 3. Filter plate surface has oil residues 	<ol style="list-style-type: none"> 1. Replace 2. Trim the canvas 3. Clear off oil residues

VI Damageable parts

Model Z24 Oil Filter	Model GF-0150 Oil Filter
1. Canvas: 500×230	1. Canvas: 575×275



MODEL GF-0150 OIL FILTER STRUATURA DIAGRAM

- 1、 motor seat plate 2、 stand 3、 motor 4、 support frame
 5、 screw bolt 6、 end filter plate 7、 filter frame 8、 filter plate
 9、 oil pipe 10、 oil-out 11、 stand filter plate 12、 pressure gauge
 13、 nut 14、 oil pan 15、 gear pump