

CONTENT

Safe Production and Information:.....	1
I. Feature、 Function and Main Technical Parameters	2
II. Main Structure and Working Principle	3
III. Installation and Application.....	3
i . Operation of new machine.....	3
ii . Normal running.....	4
iii. Maintenance	5
IV. Lubrication System	5
V. Assemble and Disassemble of Main parts	6
i . Assemble and disassemble of screw shaft (see page no.13).....	6
ii .Assemble and disassemble of pressing cage(see page no.12)	6
iii.Assemble and disassemble of gearbox(see page no.10)	7
VI. Safe production and information.....	7
VII. Appendix	7
i . Attachment with machine.....	7
ii . The pretreatment requirement of various oil materials.....	8
iii.Breakdown and the Methods of Removal	8
iv. Structure Diagram of Main Parts (Fragile Parts)	9
(i) Structure Diagram of Feed Hopper	10
(ii) Structure Diagram of Gearbox.....	11-12
(iii) Structure Diagram of Pressing cage.....	13
(iv)Structure Diagram of Screw shaft.....	14
v . Structure Diagram of Machine stand	15
vi. Electric control box circuit diagram.....	15
vii. Instruction.....	16

Thanks for using our products. In order to familiar with the performance of this machine, please read the instruction manual carefully before operation.

Safe Production and Information:



The exposed running V-belt and the connecting belt must be covered all time to prevent from contacting human body. The device is not provided. The user should self-made or buy from supplier.



Electrical installation, examine and repair should be by a professional electrician



It is prohibite to touch any running part of the machine with anybody when it is working.



It is prohibited to open the cover of the pressing cage for observation when the machine is operating. The oil is in very high temperature.



After the cookie is cool then can pack or stack it, or it will self-fire because of the high temperature.

I. Feature、 Function and Main Technical Parameters

RF 130 Multi-functional oil press machine is the combination of the electrical control box, oil press and filter which can be easily used.

The main features:

1. The main pressing cage is internally installed electric heating pipes which can pre-heat the pressing cage. It can save the pre-heat time.
2. With pressure filter equipment .
3. The heating pipes under the oil basin can heat the small amount of the cold oil, which can be easy to filter.
4. Under the oil press can put the electrical motor and pump which cover a small area.
5. With the electrical controlling part and using it when combine the control cabinet and the outside electrical equipment.

The function:

1. This is a plant oil producing machine, which can process grain type oil material, such as rapeseeds, cotton seeds, beans, peanuts, sesames and tung nuts ect. And tiny grain of wild plant oil materials.
2. Before grinding, the oil materials should be pretreated, for example, cleaned, peeled, broken, crushed, soften and broiled and baked. The requirement of the pretreatment seen in appendix II. The quality of pretreatment contributes directly to the performance, longevity, safe

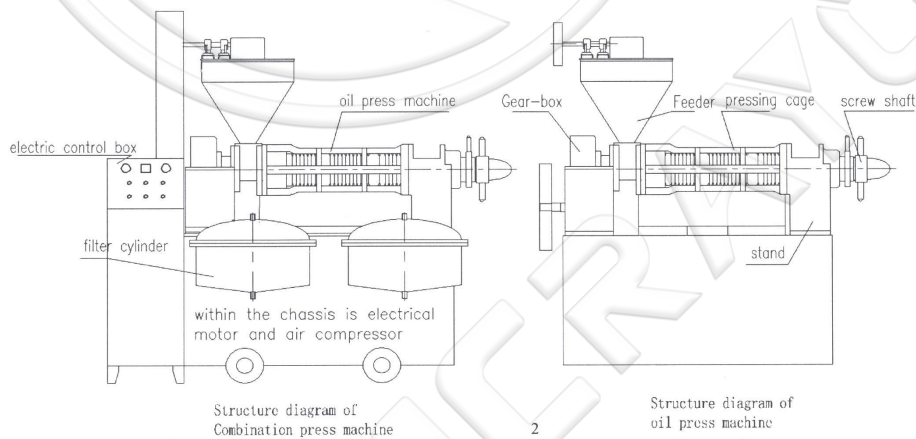
production and oil grinding

ITEM NO.	ITEMS	PARAMETERS	
1	Outline dimension	2100*1400*1770mm	
2	Weight	1300Kg	
3	Grinding shaft rotational speed	42r/min	
4	Production capacity	7-9T/24hrs	
5	Reduction gear ratio	55/15×34/15=8.31	
6	Motor triangular belt wheel	B type 3 × ϕ160	
7	Triangular belt wheel	B2438 *4	
8	Squeezing time	About 45 minutes	
9	Power	Squeezing power	15kw-6
		Air compressor power for filter	1.5 kw- 380V
		Pressing cage pre-heating power	1.4 kw-220v
		Shaft heating power	1.8kw-220v

The production capacity refers to the selecting, separating and material pressing equipments are complete and process is reasonable. It means the index reached during normal operation and pressed only once.

II. Main Structure and Working Principle

This machine is composed of oil press machine, filter cylinder, electrical control box, air pump and electric motor etc.



Electrical motor and air pump are standardization equipment, this manual emphasize to explain the composition and using of the oil press machine. The oil press machine is composed of feeder、 gearbox、 pressing cage、 screw shaft and machine stand etc.

Working principle:

The screw oil miller utilizes the screw shaft that is set-up with different styles of screws and rotates when machine is running to push the material into chamber. Owing to the spiral helical pitch of screws becomes shorter and the spiral depth of screw. Becomes shallower, in the chamber the volumes between screws and pressing ring inner is smaller, pressure produced from curve saw-tooth of pressing ring inner, which oil is separated out. Oil releases from the gaps between bars and oil slots between pressing rings. Cookie releases from the cookie release state.

(Filtering principle: Open the oil inlet valve, when the oil level reaches to oil gauge, close the oil inlet valve, open the compressor valve, it means finish one time filter, two tanks interaction use.)

III. Installation and Application

When the machine out of factory, it was installed in the appropriate height chassis, connect a power supply line by professional electrician, level off the machine, go to next step.

i . Operation of new machine

The key point: check up and grinding machine

1. Because of the transport and stock, the new machine should be cleaned before using it.. Clean away the rustproof, coating, pull the screw shaft out of the press cage. disassemble the top cage, use the sand-cloth to buff the surface of the worms and the inside surface of the pressing ring then reset them. Add N32# machine oil or gear oil into the gearbox till to the oil gauge, also check other lubricated parts and add lubrication oil.
2. Loose the cookie outlet to prevent blocking. Do it as follow: Counterclockwise rotation the adjusting ring, until the cake guide ring touch the cake output ring, then clockwise rotation the adjusting ring for about 4-5 turns.
3. Hand turn the triangle belt wheel so as to make it rotate over 8 turn, check if there is any blocking, meanwhile, check and adjust the tightness of the belt.
4. Start the motor and have the miller running empty for 15 minutes, observe if the empty load current is normal (usually around 15A). Please note if the voice inside the gearbox is normal and if each bearing part is hot.
5. After everything is normal in order to let material goes more smoothly, and so do oil releasing and cookie forming, the new machine need to mill. Milling is the promise for new oil press machine operating normally.
6. The milling methods: Add evenly 1 0% water to the dull cookie pieces, then put them to mill again and again. At the beginning, add the pieces into the feeder slowly, meanwhile, observe if the cookie outlet release cookie, and adjust the gap between cake guide ring and cake output ring timely. Because the dull cookie pieces will reduce the water during pressing, so should add the water to it properly. The screw shaft will be blocked because of material blocking the sudden feeding of material and the too small gap between the cake guide ring and cake output ring. If the screw shaft is blocked, should stop the machine immediately, clean the chamber then go on milling. At normal situation, the machine after milling can form the cookie successfully and the cookie is tile like. It means the milling is finished.
7. After cleaning the machine, check if each pare is abnormal, check if the fastening parts are

good and if the oil supply of each lubrication part is sufficient. Start to operate when everything is normal.

ii. Normal running

(☆ In normal production, can open the heating power of pressing cage in advance, the temperature will reach to 100°C in 30minutes, it is convenience to pre-heat the machine. It notes that when grinding the new machine, if the person is unskilled, please don't open the pressing cage to pre-heat; In addition to, the actual temperature of the pressing cage is higher than the settled temperature of control box, at the first time, should observe and adjust the temperature setting. ☆)

1. In normal production, use the dull cookie pieces to mill to preheat the machine before pressing (do is as milling), until the surface of pressing cage is hot. Put the pretreated oil materials into feeder then start pressing. The feeding of materials should not be too hard, otherwise the chamber is easy to jam and bear no oil. With the rise of temperature in the chamber, the inserting of materials can be increased progressively.
2. Turn and adjust the screw slowly reduce the thickness of cookies
3. After the oil miller is normally running, select the broken cookies that were first milled with rather rich oil and evenly mix them into the oil materials to be broiled, baked and milled again.
4. During normal running, the feed must be even, never too much or little, or it may influence the oil output and longevity of oil miller. The cookie thickness is usually between 1.5-2mm or so. The pressing temperature is 120-135°C, the oil material water content percentage is 1-2.5% or so.
5. Pay attention to the readings of ampere meter. During normal running it is 30A or so. When exceeding, it means the pressure and load are too much; stop the feed right away, wait until the reading of ampere meter falls to normal, then recover feed, if it can not fall at once, stop the machine urgently. Much too low reading means insufficient material supply and pressure, resume to feed the oil material.
6. Pay attention to the cookie release state, when normal, the cookie is tile like and the side near the pressing worm is smooth, while there are a few small creases on the other side. They will become hardened once fallen down. There is no oil stain nor burned odor on the surface. If the water content of the oil material is too much, the cookie will be soft and fragile; otherwise, the cookie will be shapeless, but rather like powder with rather deep color and burned odor.
7. Observe oil outlet. When normally run, the oil outlet position of those plant oil materials containing high ratio of oil will gather around the bar. In the pressing ring near the bar also flows little oil. The oil color is neat. If the water content of the oil material to be pressed is too much or too little, the oil left in the cookie will be increase and the oil outlet will be muddy with the increasing foam.
8. When normally run, note if the temperature the sound at each bearing is normal and add grease on them timely.
9. Before stopping the oil miller, first stop feeding and loosen the cookie outlet, then feed little cookie or raw material to kick the well done ones out of the chamber. Then the machine can be stopped. After stop, pull the screw shaft out of the pressing cage, clean away the material that was left in the chamber. Doing this can avoid the well-done material's hardening in the chamber and breaking of screw shaft and explosion of cage, etc.
10. If the machine is out of electric suddenly during running, should pull the screw shaft out of the pressing cage timely and clean the chamber.
11. Note to users: when pressing the high oil content material (such as tea seeds, cypress seeds),

since its oil outlet is great, the pressing gaps of the grinding bars should be widened meanwhile, and also can increase the rotation of screw shaft. The working handling the miller should be trained for a certain period before independent operation.

iii. Maintenance

1. Frequently check if each moving parts is abnormal, check if the fastening parts are in good station, if the oil supply of each lubrication part is sufficient.
2. With serious abrasion, those fragile parts, like pressing worms, pressing rings, bars, cake guide ring and cake output ring etc. must influence the oil pressing effect, therefore, those parts should be altered timely. There are something need to explain: Do not change too many fragile parts at the same tine, otherwise the machine need mill again.
3. Regular repair: rough check once a month, ordinary check twice a year and big check once a year. During repair, the lubrication oil in the gearbox should be changed timely, and add lubrication properly to each lubrication part.
4. Clean the machine regularly. Keep it clean and tidy.

IV. Lubrication System

Lubricating part	Lubricating style and quantity	Lubricating cycle
Gearbox	Machine oil or gear oil (till to the oil gauge, about 9kg)	Once a year
Feeder bevel gear	Plant oil (proper)	1-2 times each shift
Adjusting bolt oil cup	Plant oil(proper)	1-2 times each shift
Each rolling bearing	Consistent lubricant (2/3 of bearing)	Once a year

- Note: 1. When choose the plant oil as lubricant, it should be the same kind plant with oil material
2. Tung oil is not proper as the lubricant

V. Assemble and Disassemble of Main parts

Note: Before disassemble the miller, the user should read the manual diagram contrasting with the material object. Make sure to assemble the parts follow the original sequence.

i. Assemble and disassemble of screw shaft (see page no.14)

When disassemble of screw shaft that has pressed already should disassemble the screw shaft when it is hot after it stops running. If the shaft is cool already, should heat the screw parts. The method of disassemble is: First rotate down the end nut of the shaft, pull out the adjusting bolt, loose the press nut that is left-hand screw thread with spanner. After heat the screws part(temperature should be not high than 150°C), the screws will be pull down easily. During the process, it is prohibited to beat the worms with iron bar, or the worms will be destroyed.

The screw should be cleaned before assemble them, The original sequence should be followed. Please note the following: two thrust bearings 51309 should be lubricated, and the bigger inner whole of bearing should be put near to adjusting bolt. Keep a considerable gap between thick and the other side of bearing 51309 after combining the thick and thin nuts that on the end of screw shaft, to promise that adjusting bolt can rotate easily, but not the shaft move.

ii. Assemble and disassemble of pressing cage(see page no.13)

1. Disassemble of pressing cage: after pull the screw shaft out of pressing cage, rotate the

pressing bolt so that the pressing cage will be loosed. Pull down the four pieces of bolt M16 and fourteen pieces of bolt M14 connecting the top and bottom cage, loose the four bolts that are on two sides of bottom cage for several turns and so do the four bolts M16 of base and rack. Meanwhile the top cage can be disassembled, the pressing rings and roll bar can be taken out.

2. Disassemble of roll bar parts: Put mat bade under the roll bar so that the space under bar is empty. Use the hammer to ham down one of the pressing bar, than the others will pull down automatically.

Assemble of roll bar parts: Clean the internal surface of roll bar and surface of bars. Put the roll bar on level ground, then put the bars into roll bar orderly, and all bolts should towards to one direction. The last one of pressing bar's can be hammered into the roll bar. The tightness of bars should depend on the oil material. It can be adjusted by different kinds of thickness iron plates (the length of iron plate is the same with bar). Observe from the side of roll bar after assembling, it is a regular polygon; use hand feel the inner of the roll bar is no protrusion.

3. Assemble of pressing rings (see appendix iv: Structure diagram of pressing cage and pressing rings). The same number pressing ring can be exchangeable using, the side of bolt of all pressing rings towards rack side.
4. Assemble of pressing cage: After assemble the roll bar parts and pressing rings, pre- tight the pressing bolt, not too hard. Assemble the top cage, tight the bolt that connects the top and bottom cage, use the spanner to tight the pressing bolt, meanwhile, beat the pressing ring with hammer softly to make the pressing ring close the inner side of pressing cage(the pressing rings can move on during the oil pressing). Then, tight all fastening bolts of top and bottom from middle to two sides of pressing cage. Then tight the bolts of top cage, gearbox and rack orderly. Last, tight the four M12 fastening bolts of rack and base. The assembling of pressing cage parts is finished.

iii. Assemble and disassemble of gearbox(see page no.11)

Take the complete disassemble of gearbox for example: pull down the oil seal, take a container to contain the machine oil that release from the gearbox, pull down all the bearing end cover, loose down all the fastening bolts of gearbox body and gear box cover, open the gearbox cover, take out the big gear(59teeth) and bearing, the gearbox major and minor shaft that be beat out of the gearbox with hammer and sleeve.

The order of assemble is opposite with the order of disassemble, after finish assembling, should add machine oil N32 to gearbox. Please note the following: The machine uses the helical gear to drive, so that the bearings in gearbox can bear axial force. Adjust the free gap of bearings after finish assembling. The cover without whole of gearbox major, minor and big cover each has three fastening bolts M8 which need adjust evenly to promise bear even power. Do not tight the fastening bolts too loose or too tight, or it may influence the using longevity of bearing. The proper free gap of bearing is judged by pulling, rotating the even belt wheel of gearbox. After finish adjusting, the fastening bolts should be tight on the cover with nut. Finish rearranging, the bearing moving normal or not, during processing: should judge according the noise and the temperature from the gearbox. If it is abnormal, then timely adjust it.

VI. Safe production and information

1. Operator of the machine must have known the knowledge of mechanical safety. Electrical parts should be installed by experts.
2. When installing the miller, the belt wheel should be installed near the wall or the place that people do not pass.

3. The exposed running V-belt and the connecting belt must be covered all time to prevent from contacting human body. The device is not provided. The user should self-made.
4. It is prohibited to open the cover of the pressing cage for observation when the machine is operating. The oil is in very high temperature.
5. Operator cannot wear skirt or fat clothes. Longhair operator must tighten and cycle the long hair around head to prevent it from dripping, it is prohibited to touch ant running part of the machine with anybody part when it is working. People under alcoholic effect, or not in healthy condition, or under circumstances prone to safety violation are not allowed to operate.
6. When adjusting the tension pulley, the machine must be stopped.
7. The operator should not leave away when the machine is running.
8. Hard things, like iron blocks must not enter the clamber. No iron bar should be inset into the feeder.
9. After the cookie id cool then can pack or stack it, or it will self-fire because of the high temperature.

VII. Appendix

i . Attachment with machine

- one nut fastened spanner
- one triangle motor belt wheel
- one manual for oil milling machine
- one certificate

ii. The pretreatment requirement of various oil materials

ITEM VARIETY	SHELL VOLUM (%)	BREAKING		CRUSHINGSHEKLL		GRINDING MOISTURE (%)	GRING TEMPERATURE (°C)
		SHELL VOLUME IN KERNEL (%)	KERNEL VOLUME IN SHELL (%)	CRUSHINGS SHELL RATE (%)	FLOUR DEGREE(%)		
RAPE SEED	<0.5			>85	<5	1.5-2.5	120-130
COTTON SEED	<0.5	10-20	0.5			2-2.5	120-125
TEA SEED	<0.5	10-20	0.5			3.5-4	115-120
SHELLED PEANUTS	<0.5	<0.5				1.5-2	125-128
PARK WAX	<0.5					0.5-1	135-140
ZI-SEED	<0.5					2-2.5	100-110
TUNG NUTS	<0.5					2-2.5	80-85
SOYBEAN	<0.5					1.5-2.5	125-128

iii. Breakdown and the Methods of Removal

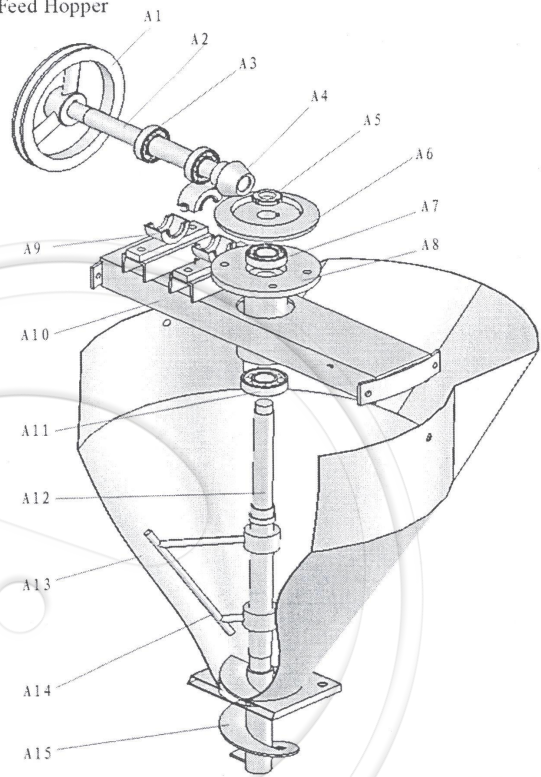
Breakdown	Cause of trouble	Trouble shooting
The oil material cannot be feed	<ol style="list-style-type: none"> 1.The surface of screw is not smooth 2.The water of oil material is too much or too little 3.Raw material has too much capacity of oil 4.The slot of bar and pressing ring is blocked 	<ol style="list-style-type: none"> 1.Mill the screws until their surface is smooth 2.Reduced or add water properly to the material 3.Add some dull cooking of the material 4.Use hot water and steel wire to clean them
Sudden stop working	<ol style="list-style-type: none"> 1.The water of oil material or cookie is too little 2.Too much raw material feed in before chamber being heated enough 3.The gap between the cake regulating ring and pressing screw is too small or the pressure in the chamber is too large 	<ol style="list-style-type: none"> 1.Add properly water to the material 2.Pre-heated the machine before feeding 3.Clock wise rotate the adjusting bolt to enlarge the gap
No cake output (or not regularly)	<ol style="list-style-type: none"> 1.Screw or pressing ring are worn 2.Screw are new 3.The gap between the cake regulating ring and pressing screw is too small, the pressure in chamber increased 4.Water of oil material is abnormal 	<ol style="list-style-type: none"> 1.Change the worm parts 2.Mill the screws until their surface is smooth 3.Clock wise rotate the adjusting bolt to enlarge the gap 4.Add properly water to oil material
Cookie leaking is too much	<ol style="list-style-type: none"> 1.Bar are too loose 2.Oil material is too dry 3.Cookie is too thin, the pressing in chamber is too large 4.The pressing bars and pressing rings is too deep 5.Pressing ring is not pressed tight 6.parts have been worn 	<ol style="list-style-type: none"> 1.Increase the thickness of adjusting 2.Add properly water to oil material 3.Clock wise rotate the adjusting bolt to enlarge the gap 4.Adjust the order of bars and pressing rings 5.Press the pressing ring tightly 6.Change the worm parts
Explosion of pressing cage	<ol style="list-style-type: none"> 1.Too much raw material feeding at the beginning 2.Hard thing, like iron block enter the chamber 3.Do not clean completely the chamber 4.The gap between the cake regulating ring and pressing screw is too small 5.Cookie that pressed many times(during milling)is too dry 	<ol style="list-style-type: none"> 1.Feed the material slowly 2.Take out the oil material 3.Clean the chamber after running each time 4.Clock wise rotate the adjusting bolt to enlarge the gap 5.Reduced the times of pressing or adjust the water
Oil leaks at the part of press nut	<ol style="list-style-type: none"> 1.There are some impurity between the screws 2.Press nut is not pressed enough 	<ol style="list-style-type: none"> 1.Pull down the screws, clean them then assemble and tight them

Screw shaft are breakdown	<ol style="list-style-type: none"> 1.The order of assemble of the big inner hole and the same inner hole of bearing is missed 2.The bearing nut press too tight 	<ol style="list-style-type: none"> 1.The big inner hole should towards to adjusting bolt 2.Keep some gap between the nut and the bearing
Rack are worn	<ol style="list-style-type: none"> 1.Counterclockwise rotate the screw shaft when it is block 	<ol style="list-style-type: none"> 1. It is prohibit to counterclockwise rotate the screw shaft and the big triangle belt wheel
Too much oil in the cookie	<ol style="list-style-type: none"> 1.Parts have been worm 2.Screw, pressing ring are not smooth, feeding is difficult 3.Slots are blocked 4.The temperature in chamber is too low 5.The water of oil material is too much 	<ol style="list-style-type: none"> 1.Change the worm parts 2.Mill the screw and pressing ring again 3.Use hot water and steel wire to clean them 4.Use the cookie to mill to increase the temperature 5.Bake and fry the oil material to reduce the water
Oil output rate is too low	<ol style="list-style-type: none"> 1.Oil material is pressed too many times 2.Screw or pressing ring have been worm 3.Cookie is too thin 4.The water of oil material is too much 	<ol style="list-style-type: none"> 1.Choose the method of hot-press instead of cool-press to reduce the times of pressing 2.Change the worm parts 3.Adjust properly the thickness of cookie 4.Reduce properly the water of oil material

iv. Structure Diagram of Main Parts (Fragile Parts)

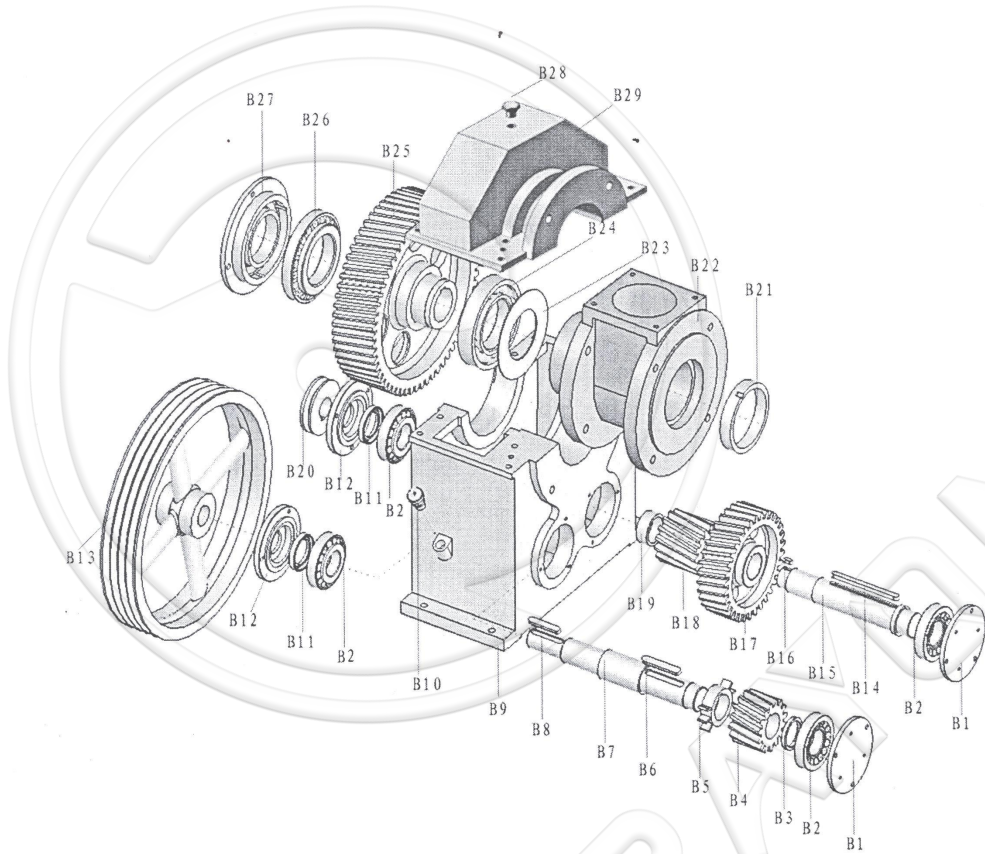
(1)、料斗部件图

(i)、Structure Diagram of Feed Hopper



标号 Item	零件名称 Description	零件件号 Part No	每台数量 Q'ty /set	标号 Item	零件名称 Description	零件件号 Part No	每台数量 Q'ty /set
A1	大平皮带轮 Big euen belt wheel	RF128-A-07	1	A9	轴承壳P206	/	2
A2	料斗传动轴 Feederdriving shaft	RF128-A-06	1	A10	料斗横梁 Cross bar	RF128-A-01	1
	轴承6206 Bearing6206	/	2	A11	轴承7206 Bearing7206	/	1
A4	小伞齿轮 Small bevel gear	RF128-A-04	1	A12	进料轴 Feed shaft	RF128-A-11	1
A5	圆螺母M27 Round numM27	/	1	A13	料斗 Feeder	RF128-A-09	1
A6	大伞齿轮 Big bevel gear	RF128-A-02	1	A14	拨料器 Wiper	RF128-A-10	1
A7	轴承6206 Bearing6206	/	1	A15	压料器 Twister	RF128-A-12	1
A8	轴座 Bearing base	RF128-A-08	1				

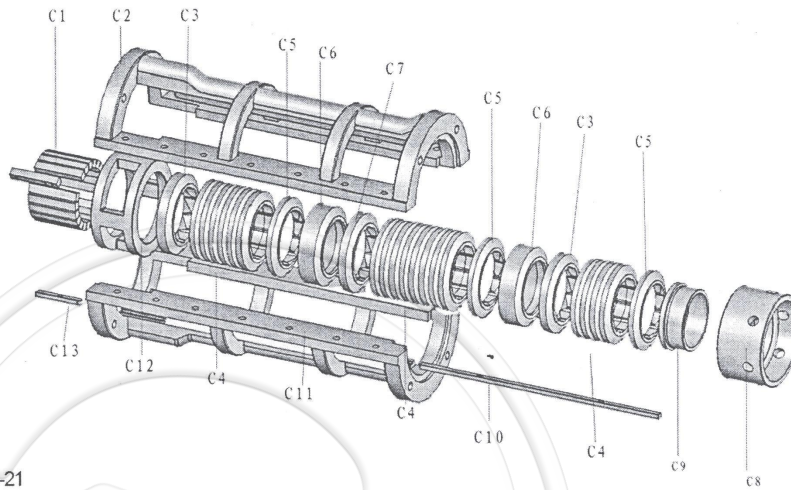
(2)、齿轮箱部件图
(ii)、Structure Diagram of Gearbox



标号 Item	零件名称 Description	零件件号 Part No.	每台 数量 Qty/set	标号 Item	零件名称 Description	零件件号 Part No.	每台 数量 Qty/set
B1	无孔压盖 Gland	RF128-B-13	2	B18	15 牙长齿轮 Long gear 15 teeth	RF128-B-16	1
B2	轴承 30309 Bearing 30309	/	4	B19	隔套 2 Spacing collar 2	RF128-B-14	1
B3	隔套 1 Spacing collar 1	RF128-B-07	1	B20	小三角带轮 small triangle belt wheel	RF128-B-06	1
B4	15 牙短齿轮 Short gear (15 teeth)	RF128-B-15	1	B21	衬套 Bush	RF128-B-21	1
B5	甩油轮 Oilgear	RF128-B-11	1	B22	进料座 Feeding base	RF128-B-22	1
B6	键 14×90 key 14×90	/	1	B23	挡料圈 Striker ring	RF128-B-23	1
B7	齿轮箱长轴 Gearbox major axis	RF128-B-10	1	B24	轴承 30219 Bearing 30219	/	2
B8	键 12×75 Key 12×75	/	1	B25	59 牙齿轮 Gear (59 teeth)	RF128-B-04	1
B9	箱体 Gearbox body	RF128-B-12	1	B26	轴承 30219 Bearing 30219	/	/
B10	油尺 Oil ruler	RF128-B-24	1	B27	大压盖 Big gland	RF128-B-03	1
B11	油封 Oil seal	Φ45*Φ65*12	2	B28	加油螺塞 Gasoline plug screw	RF128-B-01	1
B12	有孔压盖 Gland with hole	RF128-B-08	2	B29	箱盖 Gearbox cover	RF128-B-02	1
B13	大三角带轮 Big v-belt wheel	RF128-B-05	1	B30	张紧轮支架 Tension pulley support frame	RF128-B-27	1
B14	键 14×160 Key 14×160	/	1	B31	张紧轮 Tension pulley	RF128-B-25	1
B15	齿轮箱短轴 Gearbox minor axis	RF128-B-18	1	B32	销轴 Pin bolt	RF128-B-26	1
B16	键 12×20 Key 12×20	/	1	B33	手柄 Handle	RF128-B-29	1
B17	34 牙齿轮 Gear 34 teeth	RF128-B-17	1	B34	轴承 204 Bearing 204	/	1

(2)、榨笼部件图(三级压榨)

(ii)、Structure Diagram of Pressing Cage and Pressing Rings Three stage press



RF120-B-21

标号 Item	零件名称 Description	零件件号 Part No.	每台数量 Q'ty per set	标号 Item	零件名称 Description	零件件号 Part No.	每台数量 Q'ty per set
C1	条排 Pressing Bar	RF128-B-13	20	C8	压紧螺丝 Pressing bolt	RF128-B-09	1
C2	上榨笼 Top cage	RF128-B-03	1	C9	出饼圈 Cake outputting	RF128-B-11	1
C3	1#圆排 Pressing N O.1	RF128-B-04	2	C10	榨笼长平键 Pressing cage major key	RF128-B-14	1
C4	2#圆排 Pressing ring N O.2	RF128-B-06	18	C11	下榨笼 Bottom cage	RF128-B-16	1
C5	3#圆排 Pressing ring N O.3	RF128-B-07	3	C12	条排骨圈 Ralls group ring	RF128-B-02	1
C6	4#圆排 Pressing ring N O.4	RF128-B-08	2	C13	榨笼短平键 Pressing cage minor key	RF128-B-01	1
C7	5#圆排 Pressing ring N O.5	RF128-B-05	1				

1、每付条排20根，另有条排剥铁1根；

2、每套圆排26只（号数相同的圆排装配时位置可互换）。其中1#圆排共2只，2#圆排共18只，3#圆排共3只，4#圆排共2只，5#圆排共1只；

1、Pressing Bar: 20 pcs per set (with 1 pc of iron spacer block)

2、Pressing Ring: 24 pcs per set (Same No. of Pressing ring can be exchangeable using)

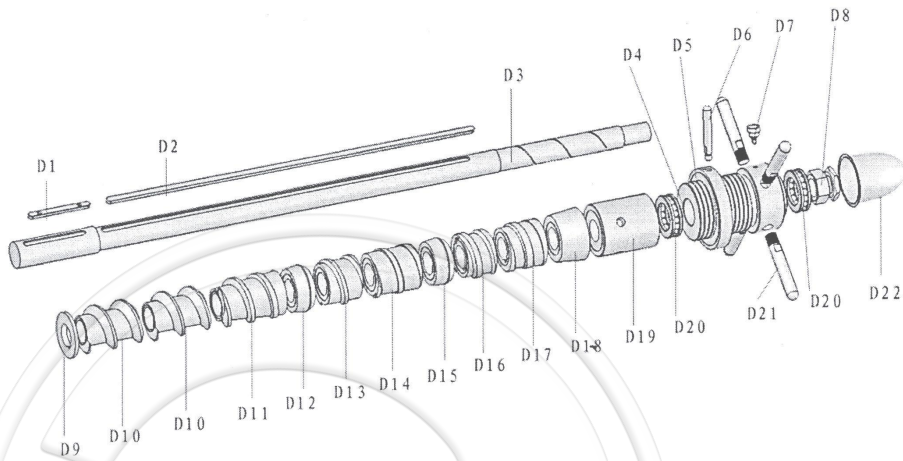
No.1 Pressing : 2 pcs, No.2 Pressing : 13 pcs,

No.3 Pressing : 3 pcs, No.4 Pressing : 2 pcs,

No.5 Pressing : 1 pc

(4)、螺旋轴部件图 (三级压榨)

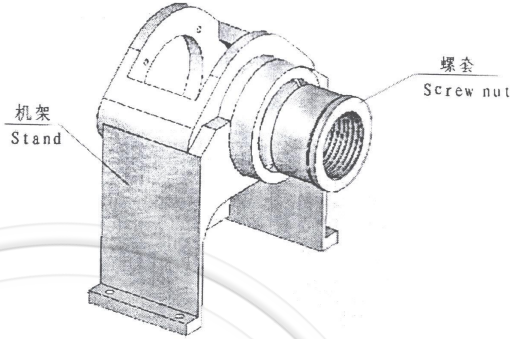
(iv) 、Structure Diagram of Screw shaft Three stage press



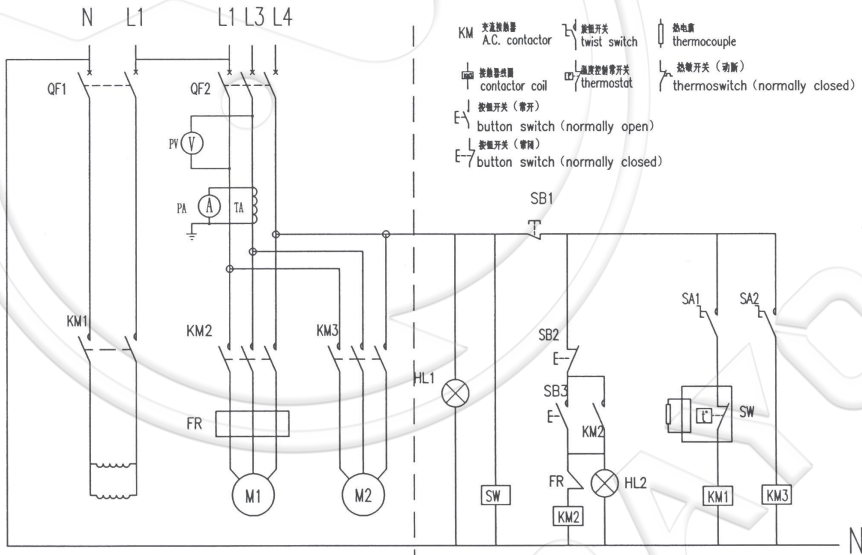
标号 Item	零件名称 Description	零件件号 Part No	每台数量 Q'ty per set	标号 Item	零件名称 Description	零件件号 Part No	每台数量 Q'ty per set
D1	短平键 Short flakey	RF128-D-02	1	D12	4#榨螺 Worm No.4	RF128-D-06	1
D2	长平键 Long flat key	RF128-D-22	1	D13	5#榨螺 Worm No.5	RF128-D-07	1
D3	螺旋轴 Screw shaft	RF128-D-01	1	D14	6#榨螺 Worm No.6	RF128-D-08	1
D4	调节螺丝 Adjusting bolt	RF128-D-14	1	D15	7#榨螺 Worm No.7	RF128-D-09	1
D5	紧定螺母 Tight nut	RF128-D-20	1	D16	8#榨螺 Worm No.8	RF128-D-10	1
D6	小手柄 Small handle	RF128-D-15	1	D17	9#榨螺 Worm No.9	RF128-D-11	1
D7	油杯 Oil cup	/	1	D18	出渣头 Cake guiding	RF128-D-12	1
D8	端螺母 End nut	RF128-D-16	厚薄各1	D19	锁紧螺丝 Checknut	RF128-D-13	1
D9	垫圈 Intermediate collar	RF128-D-03	1	D20	轴承 51309 Bearing51309	/	2
D10	1-2#榨螺 Worm No.1-2	RF128-D-04	2	D21	大手柄 Big handle	RF128-D-19	4
D11	3#榨螺 Worm No.3	RF128-D-05	1	D22	防护罩 Safe cover	RF128-D-18	1

(5)、机架部件图

(v)、Structure Diagram of Machine Stand



Q、电器原理图
Electrical diagram

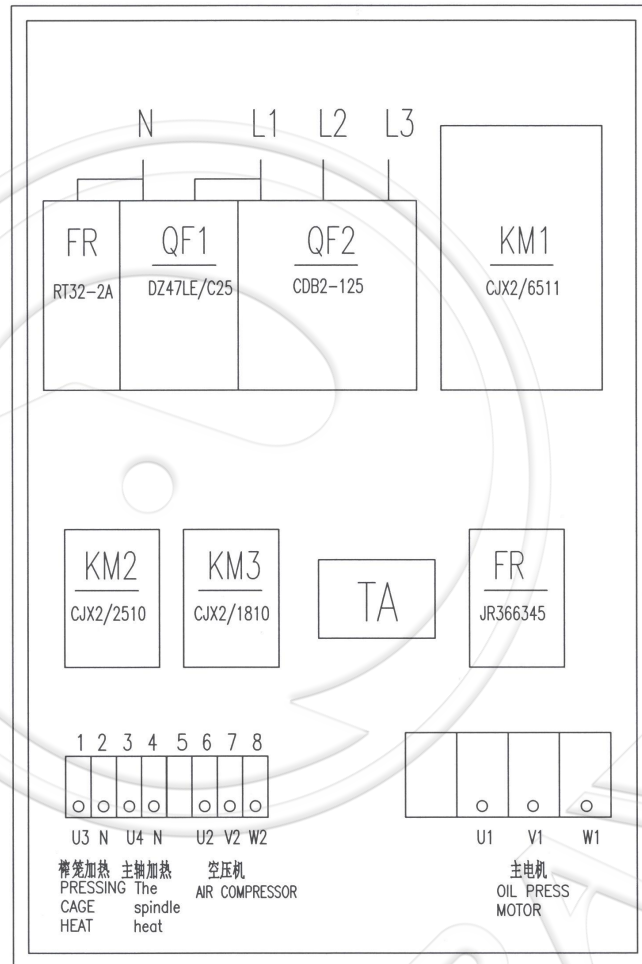


榨笼加热 PRESSING CAGE HEAT 主轴加热 The spindle heat 榨油主电机 OIL PRESS MOTOR
 空压机电源 AIR COMPRESSOR MOTOR 电源指示 POWER INDICATOR 温控仪 TEMPERATURE CONTROLLER
 榨油主电机 OIL PRESS MOTOR 榨笼加热 PRESSING CAGE HEAT 主轴加热 The spindle heat 空压机电机 AIR COMPRESSOR MOTOR

主电路 main circuit 控制电路 control circuit

2. 控制箱接线图

Article control hookup



6、说明：由于科学技术的发展，产品可能进行改进，改进后不再另行通知。
 VI. Instruction: Owing to the development of science and technology, the machine will be improved. But manufacturer do not give notice to the users again.